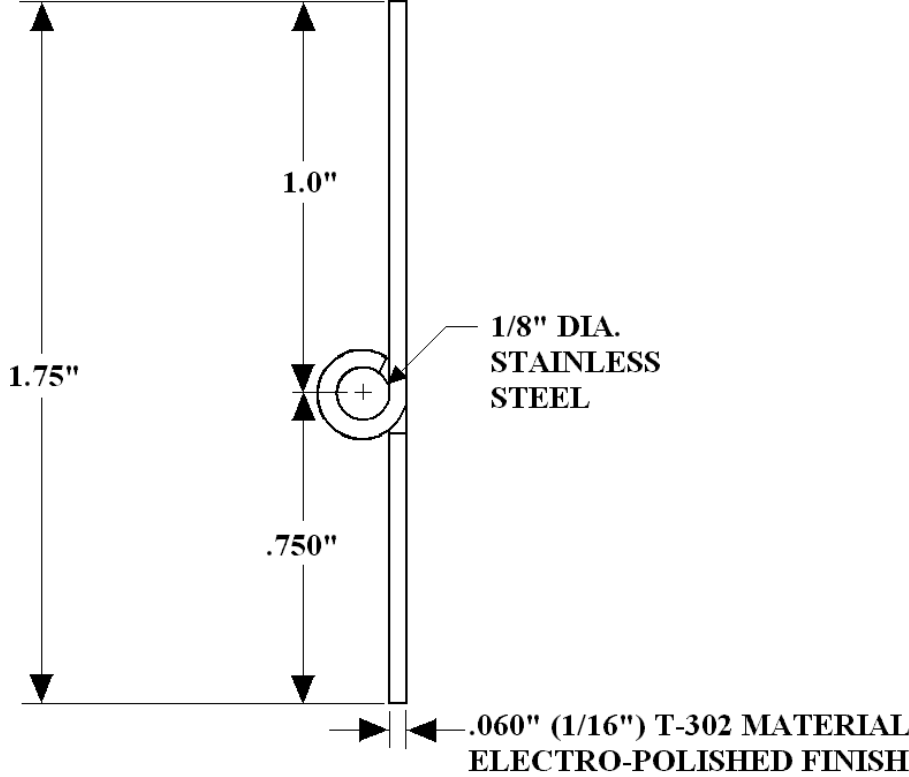
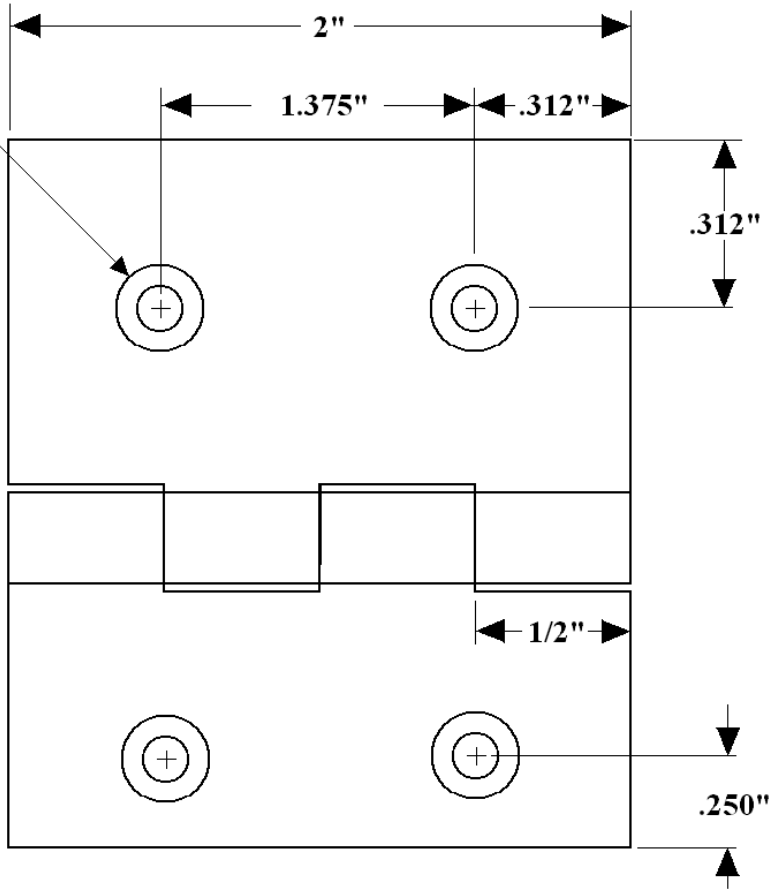


COUNTERSUNK
FOR #8 FHS



APPROVED BY: _____

JMC	DATE	10/4/12	SCALE	NTS	DWG. BY:	ALK
	JEFCO MFG INC FT. LAUDERDALE, FL					
	S.S. 16 GA. 1 3/4" X 2" UNEQUAL LEAVES				SSB-60175-200 HC, UNLF	
					NO.	12682