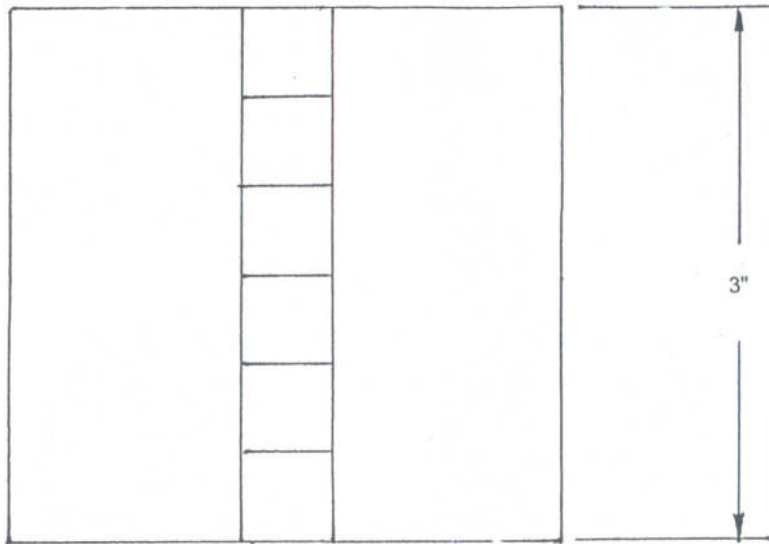
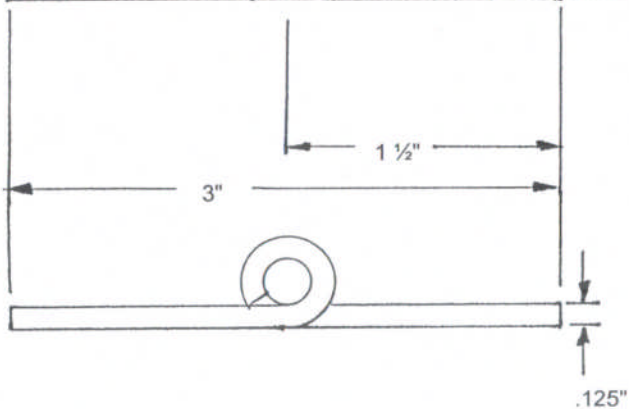


.250" DIA. PIN SPUN BOTH ENDS



3"



(6) 1/2" KNUCKLES

.125"

18-8 (T-304) STAINLESS STEEL
.125" (1/8") MATERIAL THICKNESS



JEFCO MANUFACTURING, INC.

SCALE: N/A

APPROVED BY:

DRAWN BY

DATE: 2/13/01

REVISED

11 GA. 3" X 3" S.S. BUTT HINGE

SSB-120300-300 B

DRAWING NUMBER

10772