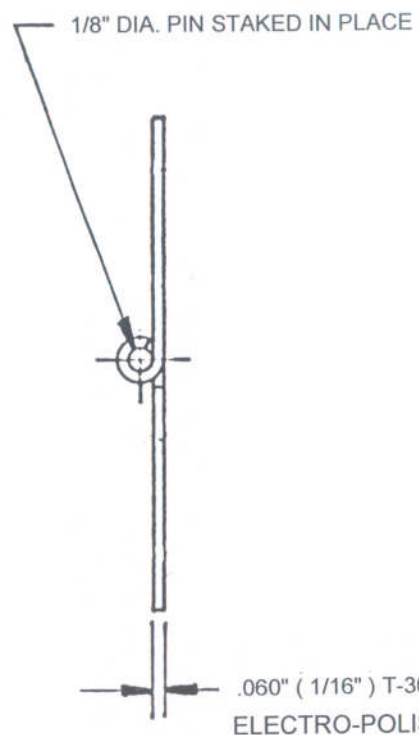


COUNTERSUNK FOR # 8 SCREW



JMC JEFCO		JEFCO MANUFACTURING, INC.	
SCALE: NA	APPROVED BY:	DRAWN BY SPK	
DATE: 9/01/94		REVISED	
S.S. 16 GA. TAPERED BUTT HINGE			
SSTB-60275-150 HC		DRAWING NUMBER 10078	