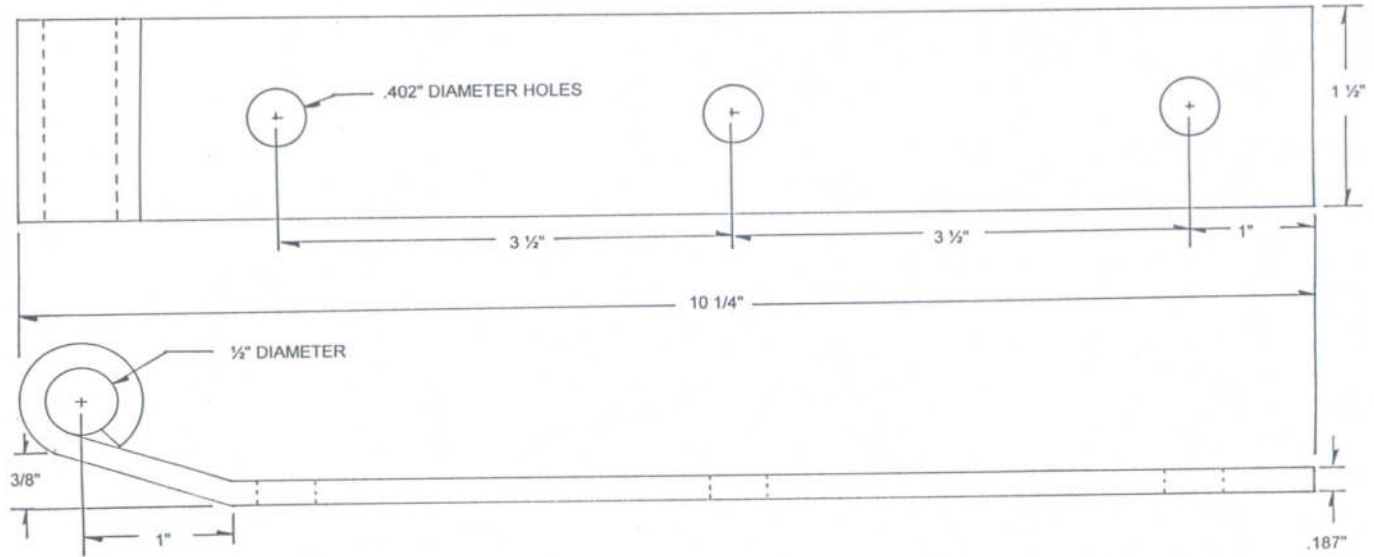
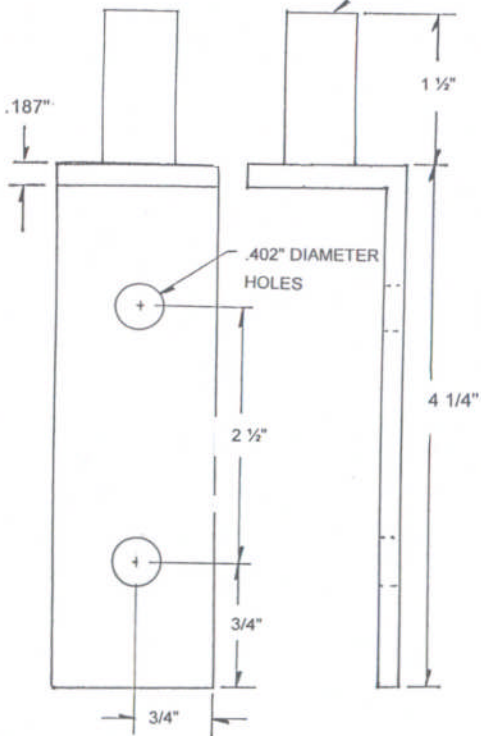


1/2" DIAMETER PIN



.187" ( 3/16" ) MATERIAL THICKNESS  
18-8 (T-304) STAINLESS STEEL

		<b>JEFECO MANUFACTURING, INC.</b>	
DATE: 8/17/01		REVISED	
<b>10" S.S. LIFT GATE HINGE</b>			
			DRAWING NUMBER <b>11852</b>