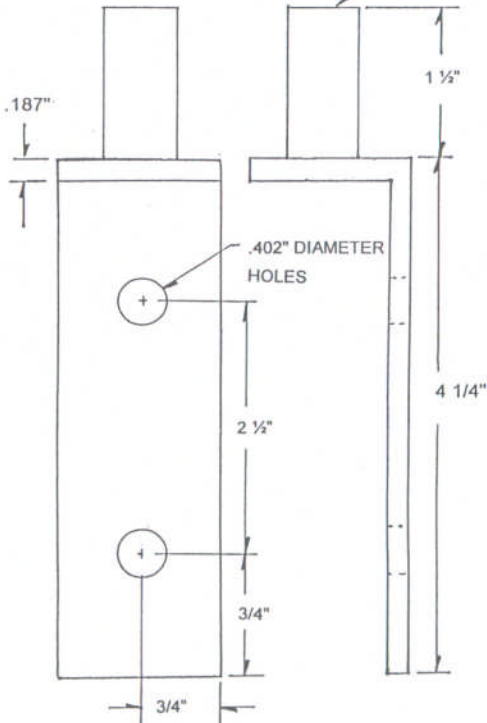


1 1/2"

1 1/2"

1/2" DIAMETER PIN



.187"

.402" DIAMETER HOLES

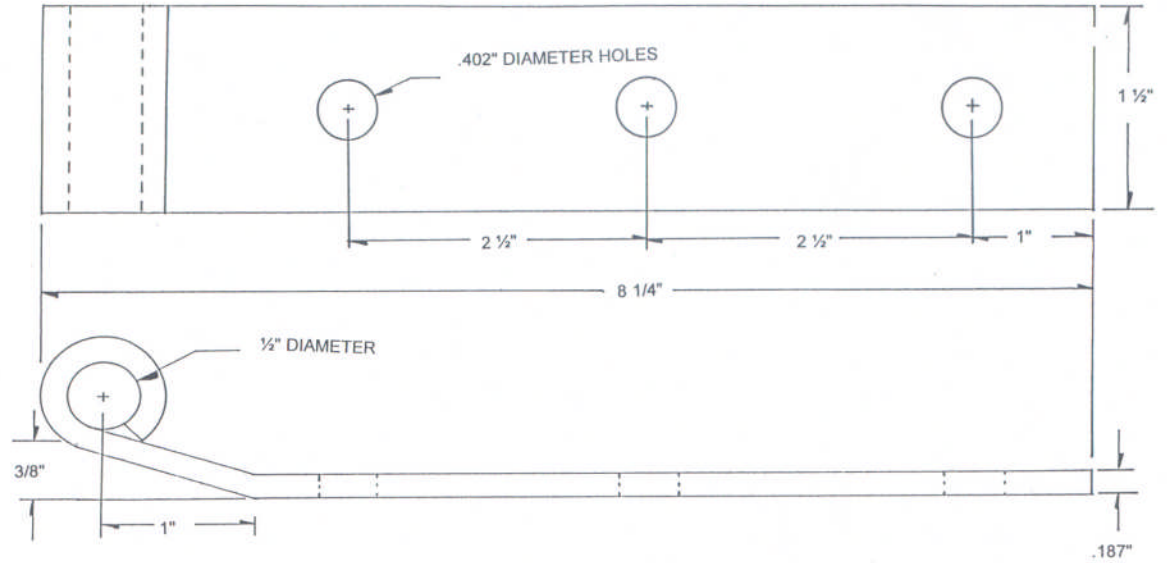
1 1/2"

4 1/4"

2 1/2"

3/4"

3/4"



.402" DIAMETER HOLES

1 1/2"

2 1/2"

2 1/2"

1"

8 1/4"

1/2" DIAMETER

3/8"

1"

.187"

.187" (3/16") MATERIAL THICKNESS
18-8 (T-304) STAINLESS STEEL



JEFCO MANUFACTURING, INC.

SCALE: NA

APPROVED BY:

DRAWN BY SPK

DATE: 8/17/01

REVISED

8" S.S. LIFT GATE HINGE

DRAWING NUMBER

11851