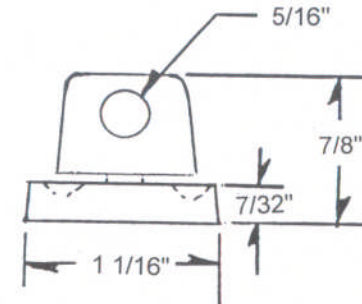
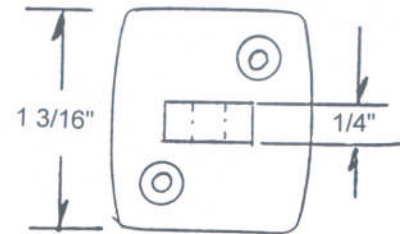


STAPLE THUMB TURN PIVOTS 360 DEGREES
 THUMB TURN CAN LATCH HASP WITHOUT PADLOCK



ELECTRO-POLISHED FINISH
 18-8 (T-304) STAINLESS STEEL



JEFCO MANUFACTURING, INC.

SCALE: NA

APPROVED BY:

DRAWN BY SPK

DATE: 2/03/00

REVISED

S.S. HASP & STAPLE

SSH-60300

DRAWING NUMBER
 10071